

Mixing valve 9610 - 9650

- Dezincification resistant brass
- Control range +35°C to +65°C



Description

Mixing valve.

Construction

Mixing valve in dezincification resistant brass.

Model 9610 mixing valve with tube end Ø22 and two compression fittings 22CU.

Model 9620 mixing valve with three compression fittings 22CU and cartridge check valve.

Model 9630 mixing valve with three compression fittings 15CU.

Model 9640 mixing valve with three male 1/2" thread connections.

Model 9650 mixing valve with three male 3/4" thread connections.

Marking

Mixing valve: CR, arrows showing inlet warm, inlet cold and outlet mixed water. Manufacturer's logotype and temperature control on hand wheel.

Maintenance

Mixing valves are normally maintenance-free, but should be inspected regularly.

Installation

Tighten nuts with a fixed spanner or wrench according to the prescribed installation instructions. Support sleeves must be used for all pipe types. When installing, do not use press fittings on tube end.

Technical data

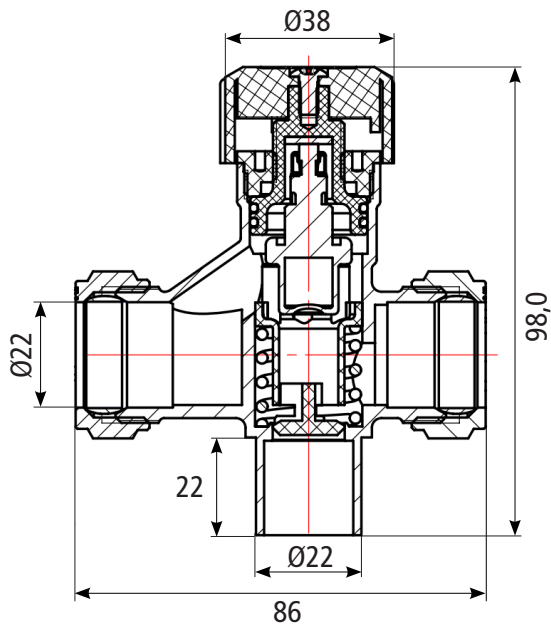
Body	Dezincification resistant brass CW625N
O-ring	EPDM
Sensor body	Copper

Maximum working pressure: 10 bar
 Maximum working temperature: +90°C
 Minimum working temperature: +2°C
 Control range +35°C to +65°C ± 5°C

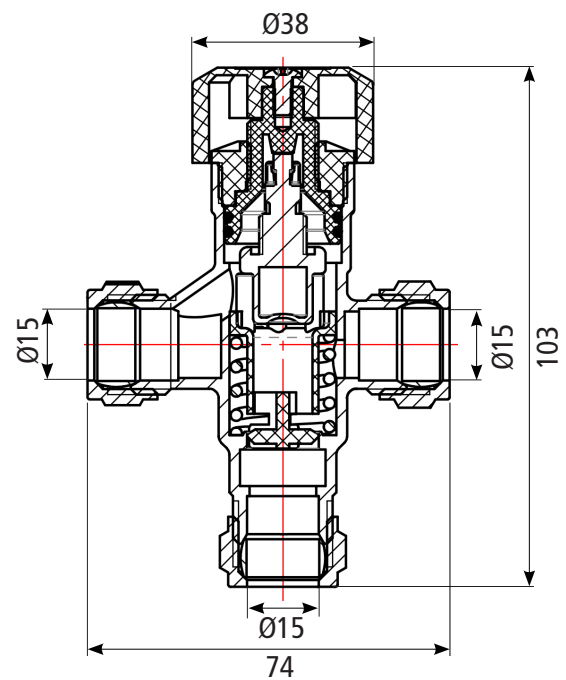
Subject to technical changes and corrections without notice

Mixing valve 9610 - 9650

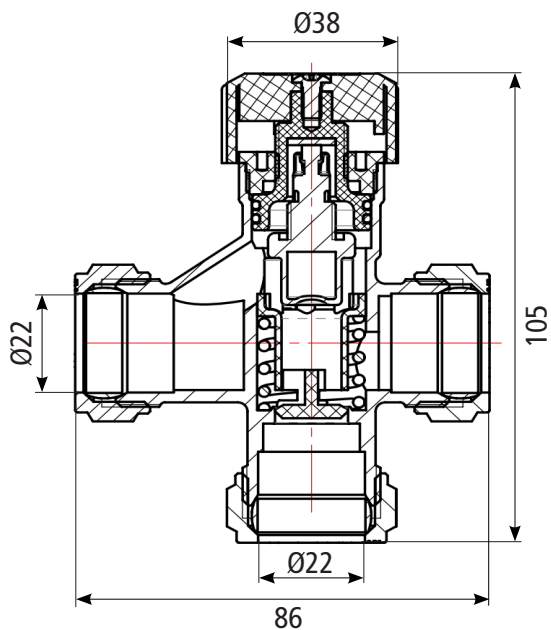
9610



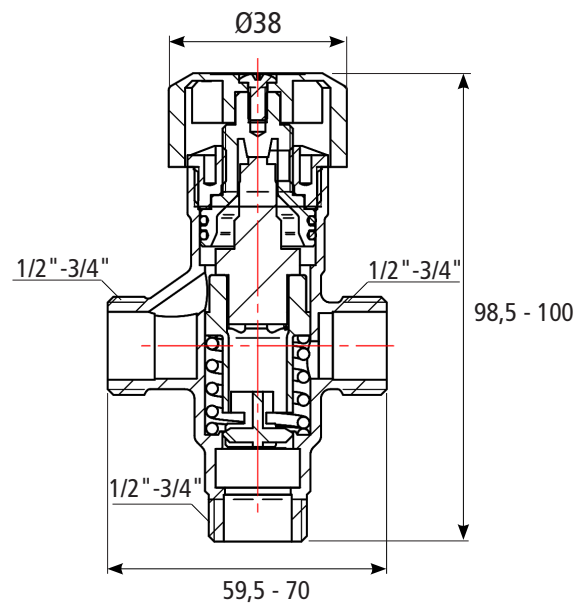
9630



9620



9640-9650



Item number	Description	Connection	Length	Height	Weight (kg)
0496102000	Mixing valve 9610, 22CU x 22CU x 22 tube end	2x 22CU x 22 tube end	86	98	0,34
0496202000	Mixing valve 9620, 22CU, check valve	22CU	86	105	0,44
0496301501	Mixing valve 9630, 15CU	15CU	74	103	0,28
0496401500	Mixing valve 9640, 1/2" M	1/2" M	59,5	100	0,21
0496502000	Mixing valve 9650, 3/4" M	3/4" M	70	98,5	0,28

All dimensions in millimetres

Subject to technical changes and corrections without notice